

ClimaRad Ventura V1C-S

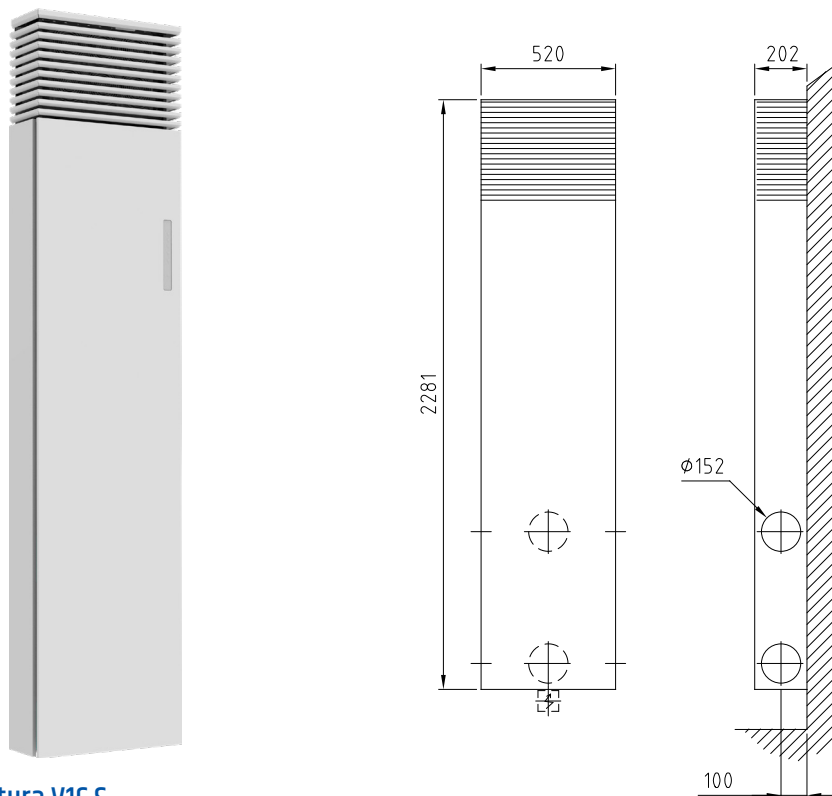
Available on request

This ventilation unit with heat recovery offers everything required to provide rooms with a healthy and comfortable indoor climate. The device is guaranteed to be applicable thanks to multiple connection options to the facade, is highly suitable for facades exposed to noise and can be structurally integrated.

The ClimaRad Ventura V1C consists of a ventilation unit equipped with convectors. This allows the unit to provide ventilation, heating and cooling for each room. The Ventura V1C was developed for the utility market, since the healthcare and business sector show an increasing demand for active cooling and (V)LT* heating. The main advantage is that the device can provide heating and cooling at high speed compared to underfloor heating and cooling. The unit is centrally controlled on the water side.

* VLT means 'very low temperature' heating.

This WTW unit is also available with Modbus module.



ClimaRad Ventura V1C-S

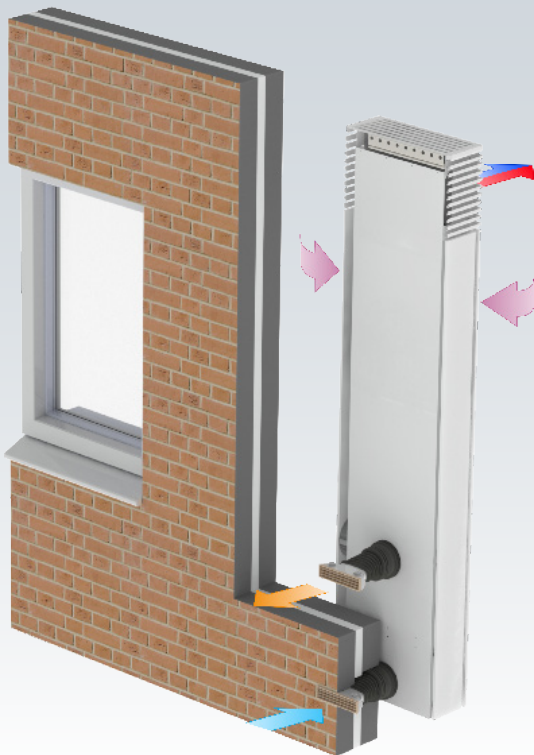
Dimensions:	520x2281x202 mm (wxhxd)
Connections:	2x $\phi 152$ mm
Ventilation output:	170 m ³ /h
Sensors:	CO ₂ (demand controlled), RV, RF, tempOut, tempIn, tempWater, pressure indicators
Connected power load:	195 W (230 VAC/50Hz)
Electrical protection class:	Klasse I
Specific input power (SPI):	0,1 W/(m ³ /h)
Standby consumption:	< 1 W
Heat exchanger:	Counter-current to 90% yield
Valves:	Automatically closing valves for supply and output
Application in high-rise buildings:	Up to 80 metres
Air filters:	ePM10-70%
Energy label:	A+
Weight:	60 kg

Outputs integrated convector

		ventilator speed		
		Normaal	Medium	Boost
Heat outputs (Watt)	75/65/20°C	3451	4559	6707
	55/45/20°C	2070	2735	4024
	35/30/20°C	863	1140	1677
Cooling outputs (Watt)	7/12/26°C*	1361	1724	2329
	16/18/26°C	742	940	1270

* Condensate drain required

The operating principle



The advantages:

- 100% applicability thanks to connection options and no parapet required
- Possibility of heating and cooling at high speed
- Financial advantage thanks to the application of Ventura V1D (two rooms with one device)
- Suitable for facades exposed to noise
- Draught-free ventilation guaranteed in high-rise buildings

ClimaRad®

ClimaRad BV
Lübeckstraat 25
7575 EE Oldenzaal
The Netherlands

Tel. +31 (0) 541 358 130
e-mail: info@climarad.com
www.climarad.co.uk

View the [ClimaRad Solutions](#) for the residential, commercial and healthcare markets.