

Maintenance instructions ClimaRad Ventura V1C-V

Maintenance frequency for filters

When should you replace the filters?

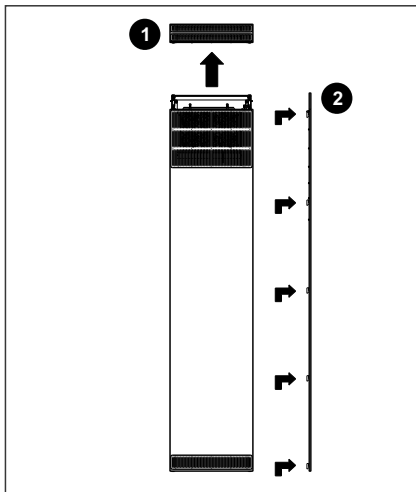
In the case of intensive use, after 1 year or earlier if the message 'Filter vervuild' appears on the display (for care homes).

Ordering filters

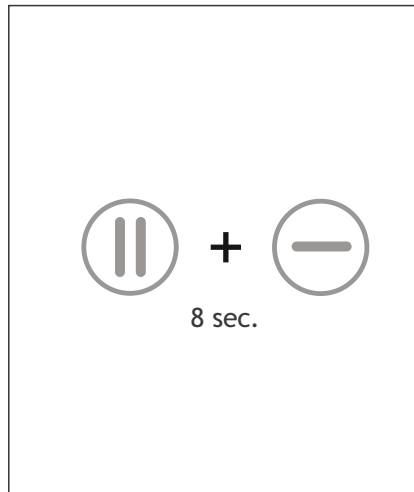
Order new filters at

www.climarad.nl/filters

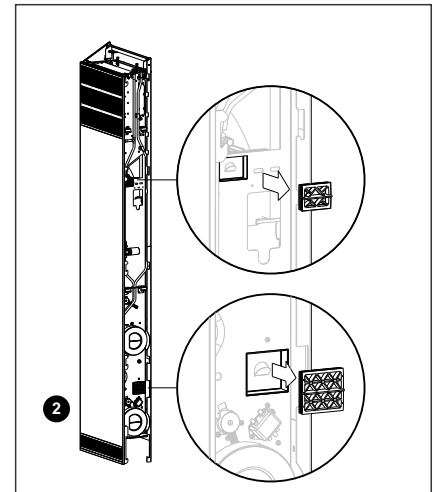
Replacing air supply and air output filters



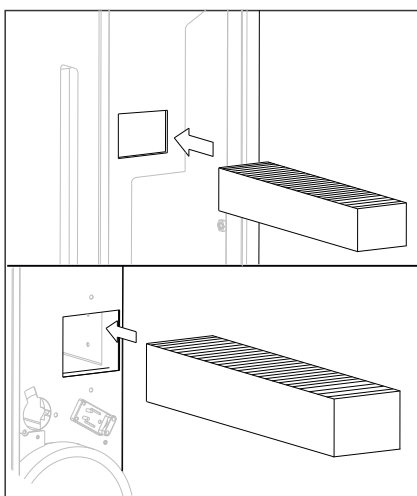
1. First remove the top grid of the unit (1). Then the right side panel (2). This is where the internal control panel is attached.



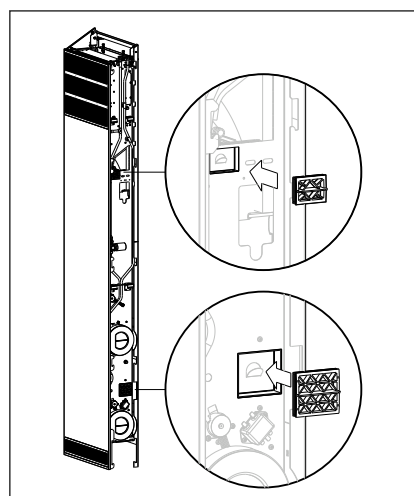
1. Set your device to service mode by holding the key combination above for 8 seconds. All LEDs will light up. Wait 1 minute for the valves to open.



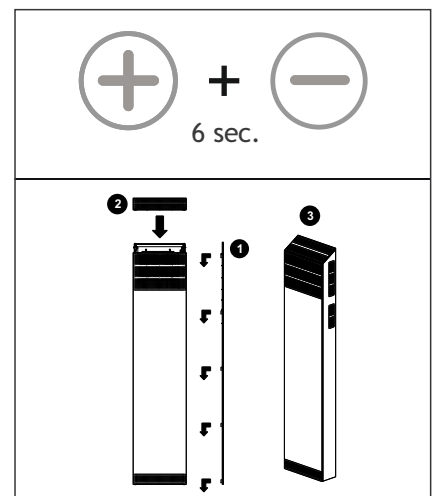
3. Remove the two black filter caps.



4. Remove both polluted filters and place the new inlet filter (below) and output filter (above).



5. Return the two filter caps to their correct positions.

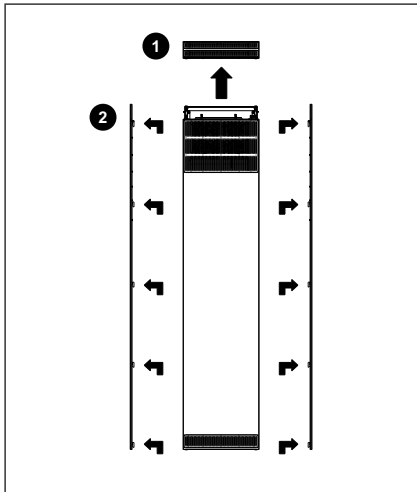


6. Reset the filter hours counter by pressing the above key combination for 6 seconds. The "filter dirty" message disappears. Press any key to exit service mode.

Then replace the right side panel (1) and top grille (2). The appliance is ready (3).

Important: Only reset the filter hour counter if you have replaced the filters.

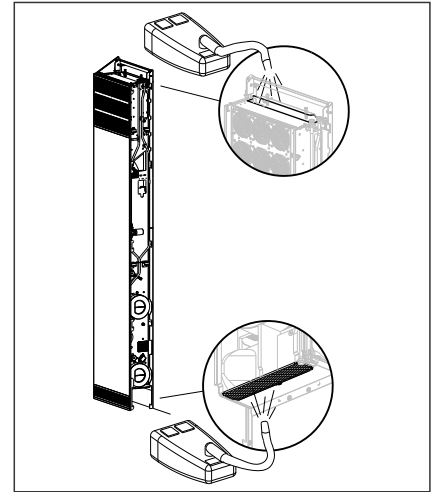
Cleaning the air ducts and the insect mesh



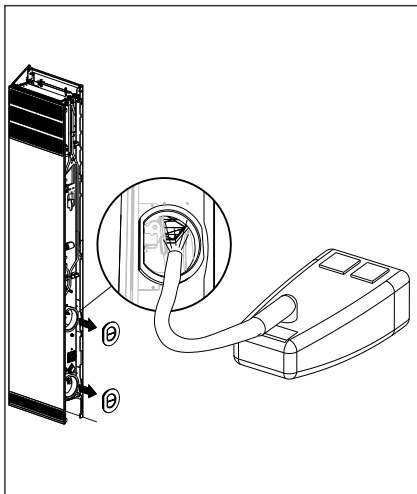
1. First remove the top grid of the appliance (1). Then the right and left side panels (2). The internal control panel is attached on the right side.



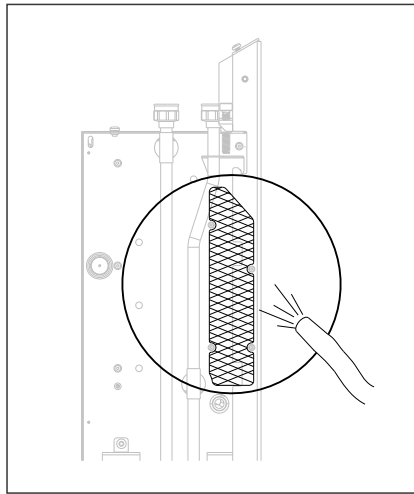
2. Set your device to service mode by holding the key combination above for 8 seconds. All LEDs will light up. Wait 1 minute for the valves to close.



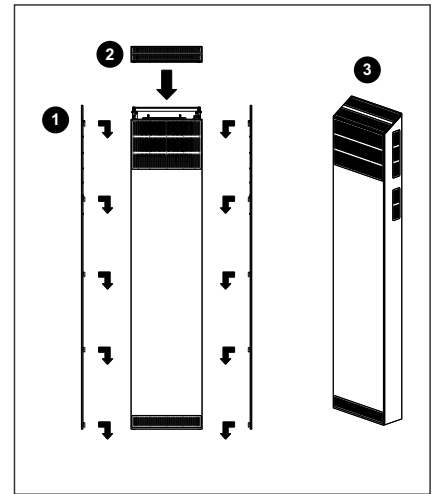
3. Clean the insect mesh at the top and bottom of the unit using your vacuum cleaner.



4. Remove the caps from both air ducts. Clean the duct entrances with a dry cloth or your vacuum cleaner. Also clean the insect mesh in the upper air duct. Place the caps back in the device.



5. Clean the insect mesh on both sides of the convector using your vacuum cleaner.



6. Press any key to exit service mode.

Replace the right and left side panels (1) on the appliance, then replace the top grill (2). The appliance is ready (3).